



### Model Number

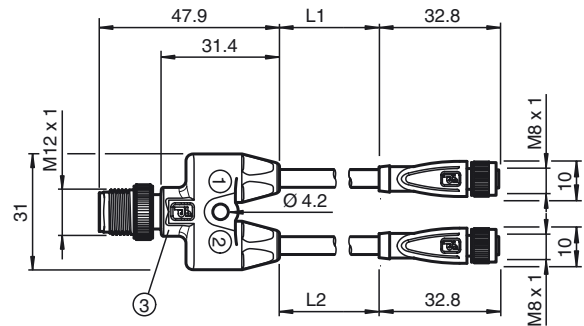
**V3-GM-BK0,6M-PUR-U-TV1-G**

Y connecting cable, M12 to 2 x M8, 3-pin, PUR cable

### Features

- Raw cable with cURus approval
- Simple assembling of 2 signals to one M12 plug-in station
- Flame resistant cable
- Resistant to microbes and hydrolysis
- Immunity to vibration
- Suitable for drag chains
- Halogen-free
- Free from substances that impair paint wetting

### Dimensions



### Technical data

#### General specifications

Number of pins	3
Connection 1	socket
Construction type 1	straight
Threading 1	M8
Connection 2	socket
Construction type 2	straight
Threading 2	M8
Connection 3	Male connector
Construction type 3	straight
Threading 3	M12
UL File Number	E231213

#### Electrical specifications

Operating voltage	$U_B$	48 V AC 60 V DC
Operating current	$I_B$	max. 4 A
Volume resistance		< 5 m $\Omega$

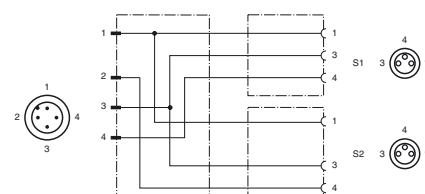
#### Ambient conditions

Ambient temperature	-5 ... 80 °C (23 ... 176 °F) active -25 ... 80 °C (-13 ... 176 °F) static
Pollution degree	3

#### Mechanical specifications

Degree of protection	IP65 / IP68 / IP69K
Connection	1 x M12 connector, straight 2 x M8 socket, straight
Cable code	Li 9Y 11Y 3 x 0.34
Material	
Contacts	CuSn
Contact surface	Ni/Au
Connector	TPU
Body	TPU, black
Cable	PUR
Slotted nut	Zinc die-casting, nickel-plated
Sleeve connector	Zinc die-casting, nickel-plated
Core insulation	PP
Cable	extra-fine wire, flexible
Sheath diameter	$\varnothing$ 4,3 mm
Bending radius	> 10 x cable diameter, moving > 5 x cable diameter, fixed
Color	black
Number of cores	3
Core cross-section	0.34 mm <sup>2</sup>
Conductor construction	42 x 0.1 mm $\varnothing$
Length	L 0.6 m

### Electrical connection



## Drag chain suitability

Drag chain cycles	≥ 5000000
Motion velocity	≤ 3.3 m/s
Acceleration	≤ 5 m/s <sup>2</sup>
Torsional stress	± 180 °/m

## Flammability

Cable	FT2
-------	-----

## Compliance with standards and directives

## Standard conformity

Flammability	Body: UL 94 Line: UL 1581 Section 1061; IEC 60332-1-2:2004
Halogen-free	IEC 60754-1:1994

## Approvals and certificates

UL approval	UL Recognized General purpose
Maximum permissible operating voltage	≤ 60 V
Maximum permissible ambient temperature	≤ 80 °C (≤ 176 °F)

## Accessories

**MH V3-SCREWDRIVER**

torque screwdriver (0.4 Nm)

**MH V3-BIT M8**

plug-in cap for M8

**MH V3-Holder**

Modular universal holder for M8 connectors

**MH V1-SCREWDRIVER**

torque screwdriver (0.6 Nm)

**MH V1-BIT M12**

plug-in cap M12

**MH V1-Holder**

Modular universal holder for M12 connectors

**V1-MARKING-RING-BLUE**

Marking ring for M12 plug

**V1-MARKING-RING-GREEN**

Marking ring for M12 plug

**V1-MARKING-RING-ORANGE**

Marking ring for M12 plug

**V1-MARKING-RING-RED**

Marking ring for M12 plug

**V1-MARKING-RING-WHITE**

Marking ring for M12 plug

**V1-MARKING-RING-YELLOW**

Marking ring for M12 plug

**V1/V3-LABELHOLDER**

Label holder

**V1/V3-LABEL**

Label plate